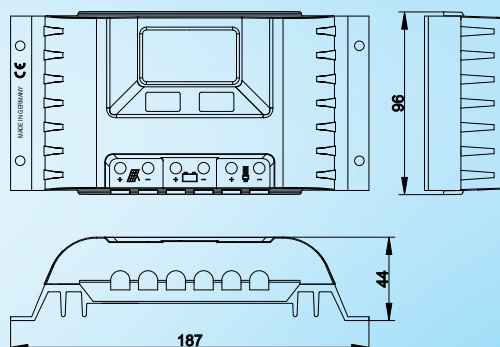




Solar Charge Controller

Steca PR 1010, 1515, 2020, 3030

- Self explaining Graphical display of System Status
- Short circuit-, open circuit protection
- Automatic Electronic Fuse
- Internal Temperature Compensation
- Determination of State of Charge
- Automatic Voltage Adaption
- Operating Status Diagnosis
- State of Charge Indication
- Overdischarge Protection
- Manual load switch



Steca GmbH
 Mammostrasse 1
 D-87700 Memmingen
 Germany
 Tel.: +49(0)8331 8558 0
 Fax.: +49(0)8331 8558 12
www.stecasolar.com

Steca PR 1010, 1515, 2020, 3030

Our newest, and fifth generation of solar charge regulators sets new standards in solar technology. For the first time a big graphical display shows all system information in a self explaining way. The integrated central processing unit, called Atonic, provides a charge controller with new functions. Atonic is more than a protective device for your battery, and contains the most recent and innovative technology. It contains a self-learning algorithm which gives detailed information on the battery's state of charge (SOC).

This optimized Steca State of charge algorithm is more precise than ever known and displayed similar to a fuel gauge. It adjusts itself to the battery's age and capacity. The SOC provides a basis for all control and regulatory functions. This new type of hybrid regulator is much more efficient than conventional series and shunt regulators. Furthermore the regulator is equipped with an electronic fuse which protects the regulator much better than a mechanical fuse and offers more comfort to the user as it reconnects automatically. In addition a manual load switch is available on the regulator.

Overcharge Protection:

- Temperature-adjusted SOC and final voltage
- Optimised float, boost, equalisation charging
- The varied charging rate provide complete use of the battery capacity, and maximum life
- The controller adapts itself to 12 V or 24 V systems automatically on installation

Options:

- External temperature sensor
- Digital multifunction alarm output
- Prepayment Unit for prepay systems

Overdischarge Protection:

- The SOC provides load disconnect
- Warning of imminent load disconnect



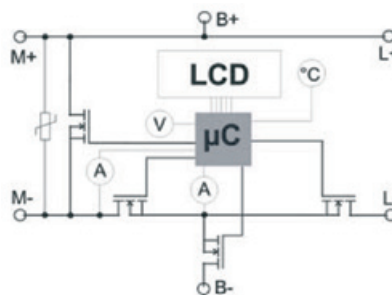
The LCD-Display

Display:

- Grafical self explaining LC-Display
- SOC and Voltage of the Battery as well as all currents. All values are displayed as numbers and can be selected by the button.
- Operation status and detailed error report

Safety Features:

- Electronic fuse, protection against overcurrent, overvoltage and overtemperature
- Protection against wrong polarity and short circuit
- Extremely low electromagnetic emission



For a detailed description please see the AtonIC data sheet. AtonIC is a registered trademark of Steca GmbH.

Solar Charge Controller	PR1010	PR1515	PR2020	PR3030
system voltage	12 V / (24 V)			
max. module input short circuit current	10 A	15 A	20 A	30 A
max. load output current	10 A	15 A	20 A	30 A
max. self consumption	12 mA			
end of charge voltage (HVD) at 25°C	liquid 13.9 V / (27.8 V), gel 14.1 V / (28.2 V)			
boost charge voltage at 25°C	14.4 V / (28.8 V) 2:00 h			
equalisation charge (deactivated for gel accu)	14.7 V / (29.4 V) 2:00 h			
reconnection setpoint at 25°C	12.6 V / (25.2 V) > 50% SOC			
low voltage disconnect (LVD) at 25°C	11.1 V / (22.2 V) < 30% SOC			
ambient temperature allowed	-10°C...+50°C			
terminal size (fine/single wire)	16 mm ² / 25 mm ²			
enclosure protection class	IP 22			
weight	350 g			
dimensions l x w x h	187 x 96 x 44 mm			

Solarix, AtonIC, the LED colour display and the hybrid control system G93 17 097.1 and G93 17 338.5 are both registered under German patent and Trade Name Office.