



## Steca PR

PR 1010, PR 1515,  
PR 2020, PR 3030

The Steca PR charge controllers were launched in 2004 as the fifth generation of charge controller technology (up to 900 Wp). This state of the art product upgrades the Steca Solarix series by a customer designed LCD which shows the accurate state of charge (SOC) in percent and as battery gauge symbol. The heart of the controller is the integrated circuit called ATONIC®II, which contains the improved regulation software based on a self learning algorithm.

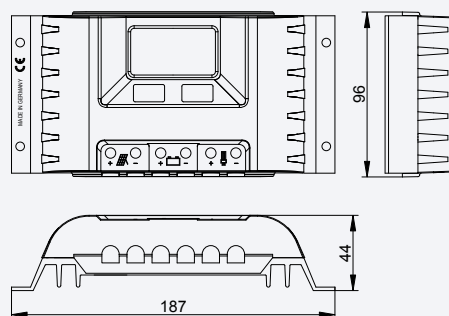
### Features

- PWM shunt battery charging
- State of charge (SOC) battery regulation
- Built in Ah counter
- Boost-, Equalising -, Float charging
- Automatic load reconnection
- Manual load switch
- Automatic selection of voltage (12 V / 24 V)
- Temperature compensation
- Data logger
- Positive grounding (or) Negative grounding on one terminal
- Field adjustable parameters by two buttons
- Lighting control options during nighttime
- Interface to prepayment unit
- Optional: external temperature sensor

### Protection functionality

- High voltage disconnect (HVD)
- Low voltage disconnect (LVD)
- Dept of discharge disconnection (DOD)
- Reverse polarity of solar modules
- Reverse polarity of load & battery
- Electronic fuse
- Short circuit of solar modules
- Short circuit of load
- Over temperature
- Over voltage
- Lightning protection by varistor
- Open circuit battery
- Reverse current at night

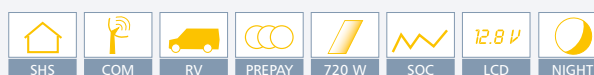
### Technical data



Solar Charge Controller	PR 1010	PR 1515	PR 2020	PR 3030
System voltage	12 V (24 V)			
Max. module input short circuit current	10 A	15 A	20 A	30 A
Max. load output current	10 A	15 A	20 A	30 A
Max. self consumption	12 mA			
End of charge voltage (float)	liquid 13.9 V (27.8 V); gel 14.1 V (28.2 V)			
Boost charge voltage; 2 h	14.4 V (28.8 V)			
Equalisation charge (deactivated for gel accu); 2 h	14.7 V (29.4 V)			
Reconnection setpoint (SOC/LVR)	> 50 % / 12.6 V (25.2 V)			
Deep discharge protection (SOC/LVD)	< 30 % / 11.1 V (22.2 V)			
Ambient temperature allowed	-10 °C...+50 °C			
Terminal size (fine/single wire)	16 mm <sup>2</sup> / 25 mm <sup>2</sup>			
Enclosure protection class	IP 22			
Weight	350 g			
Dimensions l x w x h	187 x 96 x 44 mm			

Technical data at 25 °C / 77 °F

### Power class 10 A - 30 A



### Displays

- Steca designed LCD in symbols and digits showing SOC, Vbat, all currents, Ah, alarms, day/night and more

### Certificates

- Listed for Worldbank funded projects in Nepal
- Conform to European Standards (CE)
- Made in Germany
- Manufactured in a DIN EN ISO 9001:2000 and DIN EN ISO 14001 facility